



PARTNER  
IN DESIGN  
Innovative  
Design Solutions

doxa

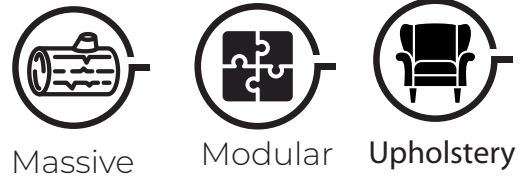
WTA2



doxa

PARTNER  
IN DESIGN  
Innovative  
Design Solutions

# WTA2



Massive Modular Upholstery

SOFAS

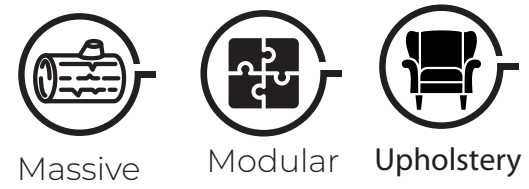


A sustainable collection of modular poufs and sofas to fit and match each other. The endless options offer modularity, customization while providing the user with a unique variety of design each space. WTA2 is a great choice that invites you to feel at home and that provokes creativity, crucial to design different places like bank lounges, recreational areas, receptions and private meeting spaces.

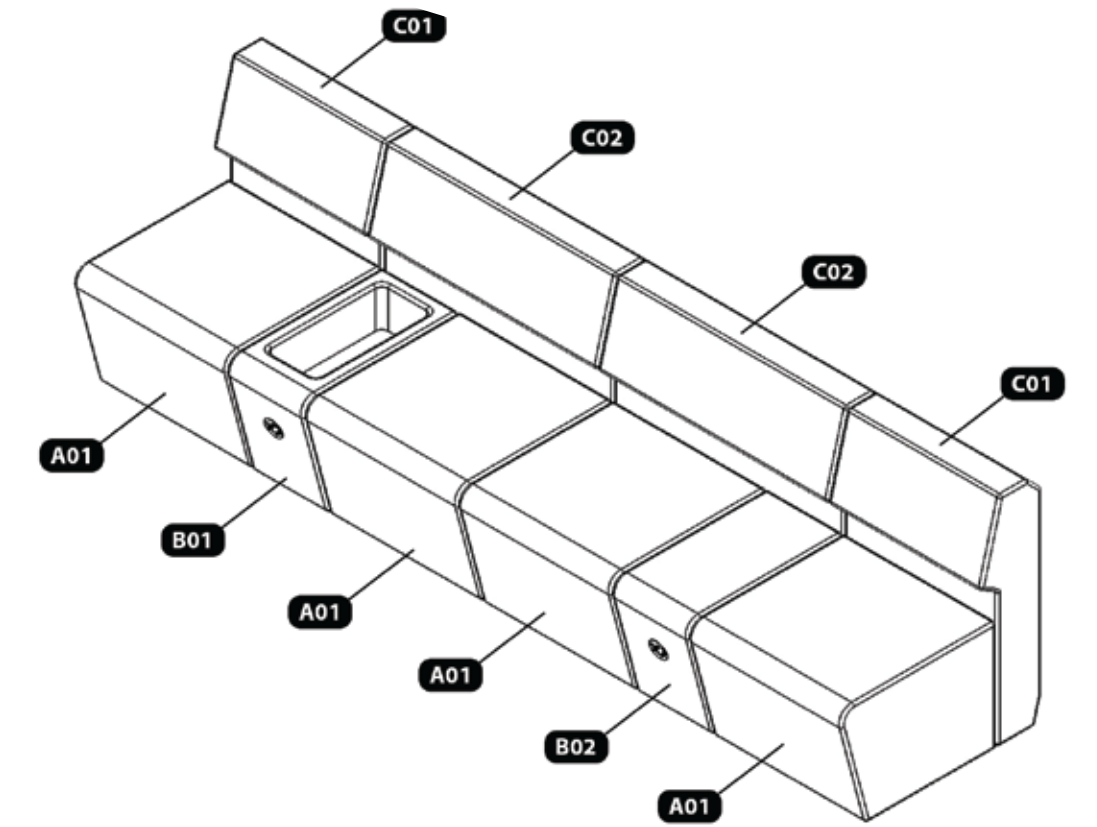
Starting from a basic pouf consisting of one or two seats, it offers unique and versatile seat and backrests, single, double and corner backrests, flowerpots or mesh panels. It creates stimulating spaces with acoustic panel designs for an original rest and waiting area. The element provides a deep flexibility in the combination of colors and fabrics, which adds a new touch of customization within the spatial design. or and make its presence felt strongly.

*Ozan Sinan Tıǧlıođlu*

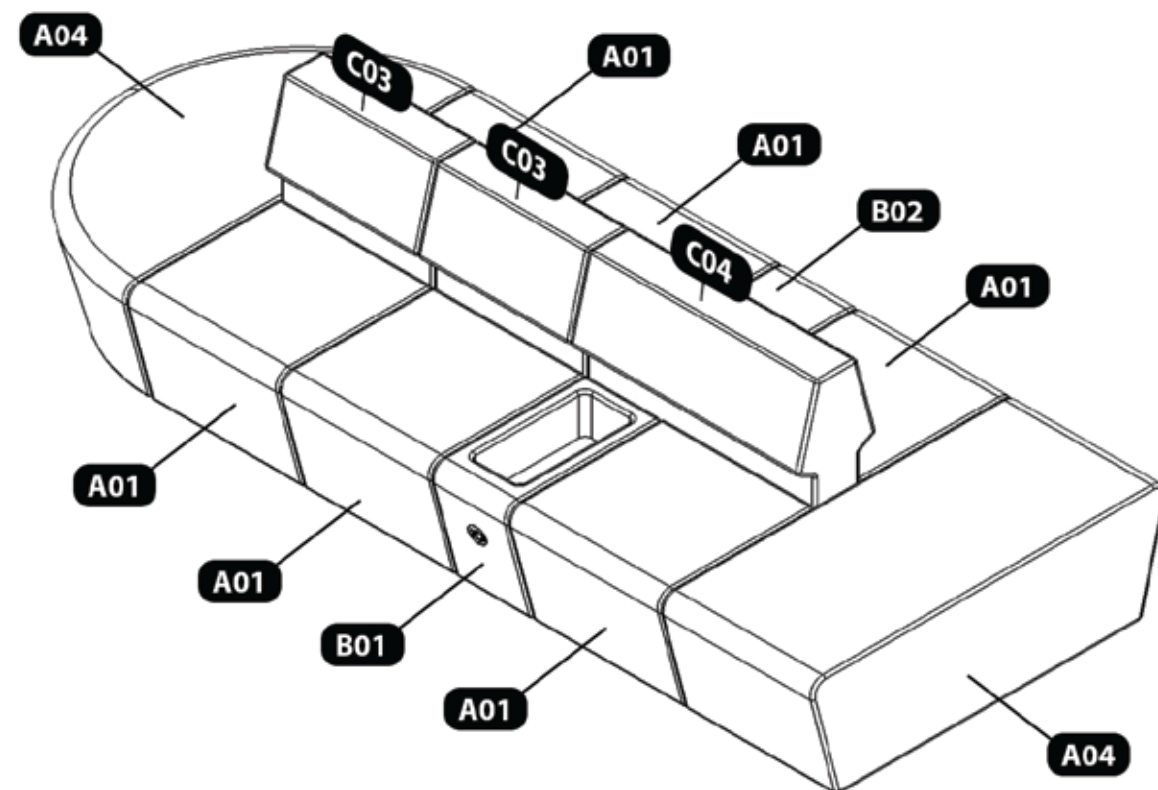
# WTA2



WTA2 Sitting Set Model 06  
300,1x77,9x87,9cm



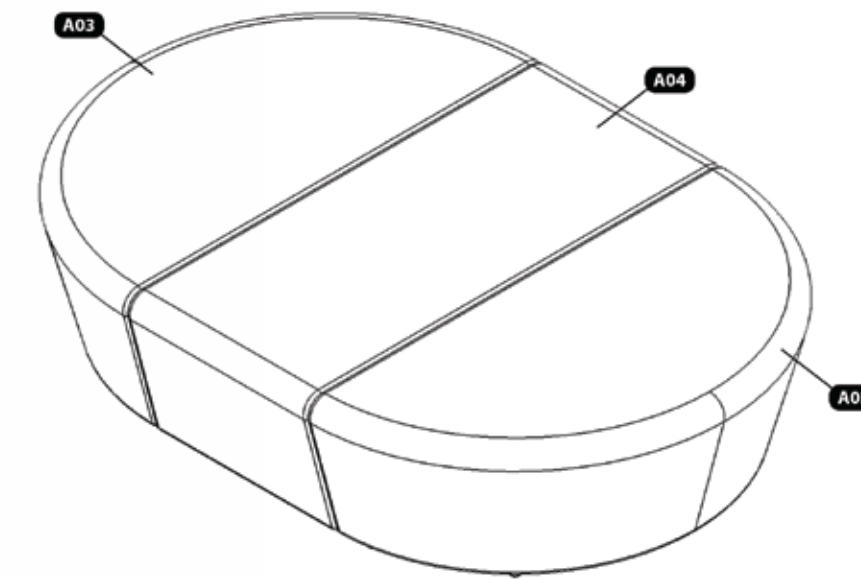
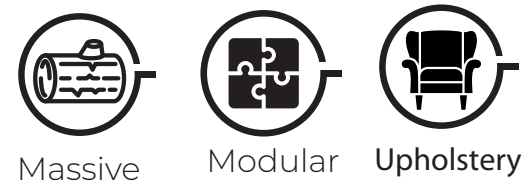
## SETS



WTA2 Sitting Set Model 04- Back to Back  
340,zx77,9x87,9cm



# WTA2

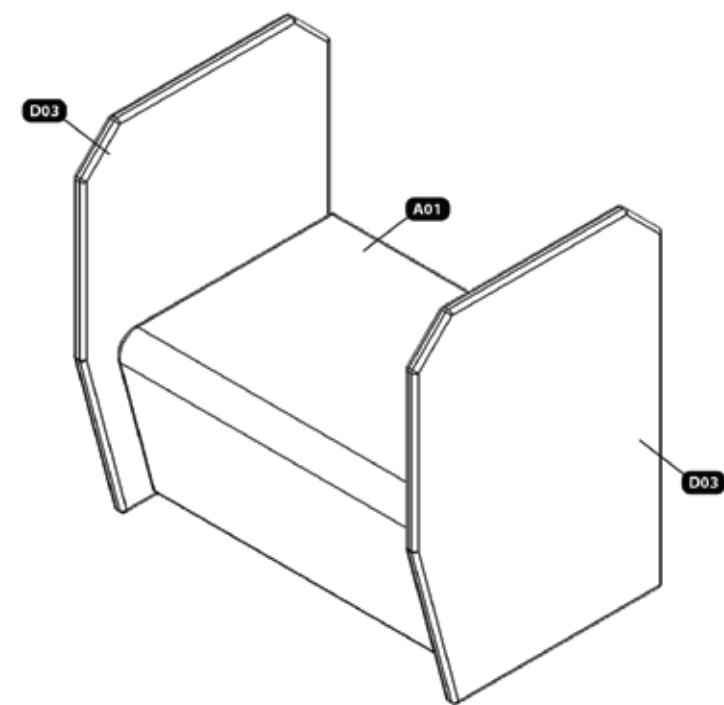


WTA2 Sitting Set Model 05  
200,1x139,7x46 cm

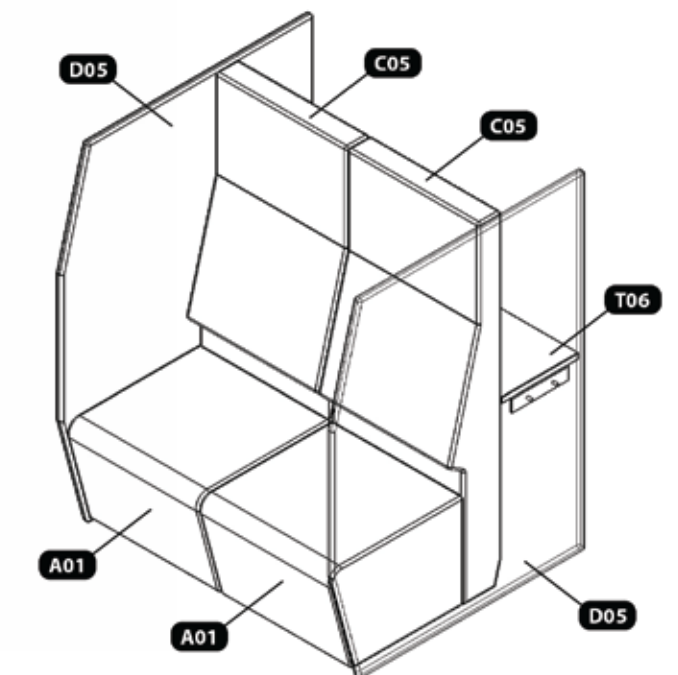
## SETS



WTA2 Sitting Set Model 07  
66,4x70x97 cm



WTA2 Sitting Set Model 03  
127,4x130,1x97 cm



doxa

PARTNER  
IN DESIGN  
Innovative  
Design Solutions

# WTA2



Massive



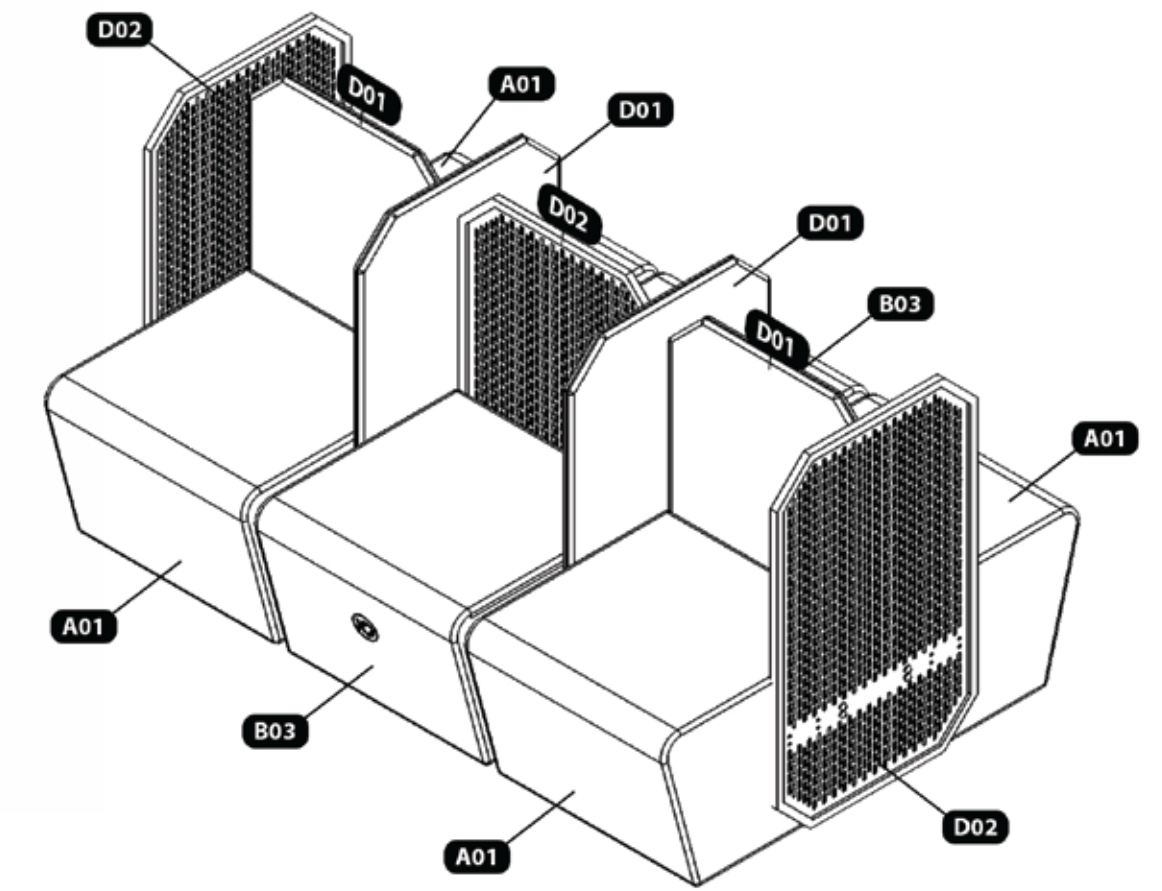
Modular



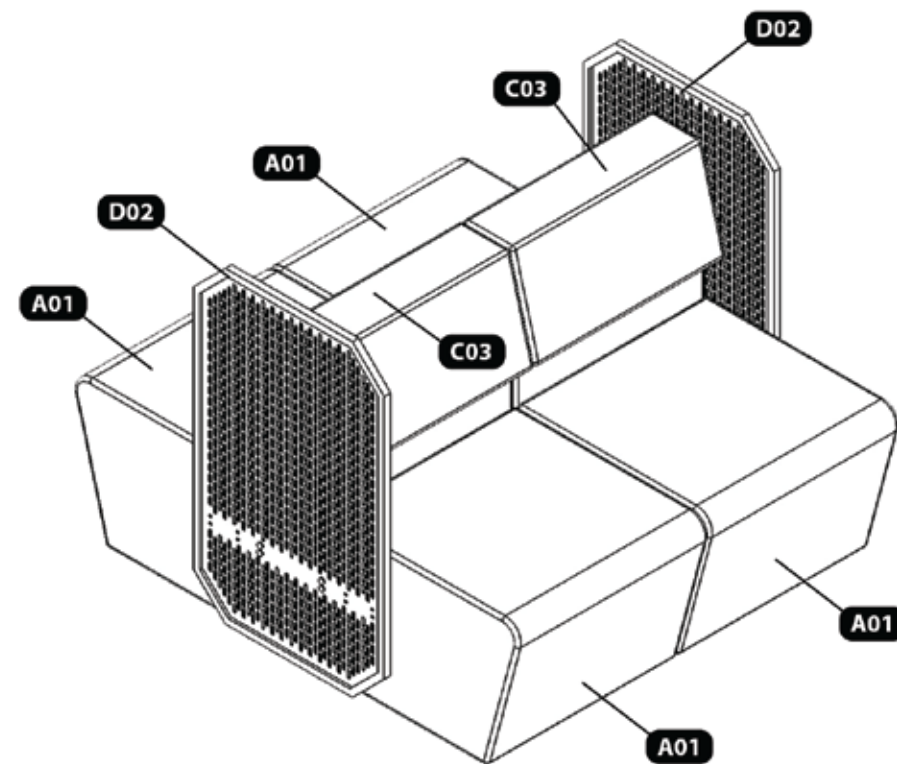
Upholstery



WTA2 Sitting Set Model 02 - Back to Back  
189,1x124,71x97 cm



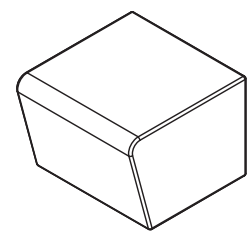
## SETS



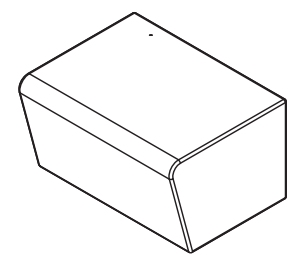
WTA2 Sitting Set Model 01 - Back to Back  
124,6x139,7x97 cm

# WTA2

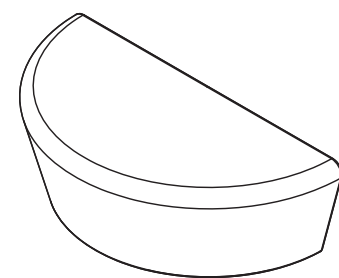
## A SITTING MODULES



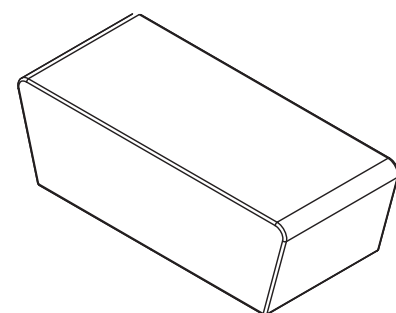
A01  
Sitting Module 60  
60x62,4x46(h) cm



A02  
Sitting Module 90  
90x62,4x46(h) cm



A03  
Oval Turn  
Module  
139,7x69,8x46(h) cm



A04  
Corner Turn  
Module  
139,7x60x46(h) cm



WTA2 A01 Sitting Module  
60x62,4x46(h) cm



WTA2 A02 Sitting Module  
90x62,4x46(h) cm



WTA2 A03 Sitting Module  
139,7x69,8x46(h) cm

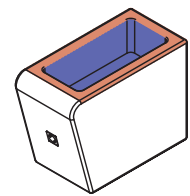


WTA2 A04 Sitting Module  
139,7x60x46(h) cm

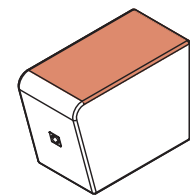


# WTA2

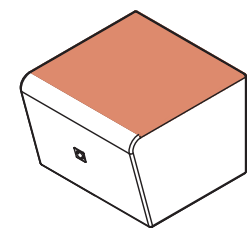
## B SIDE MODULES



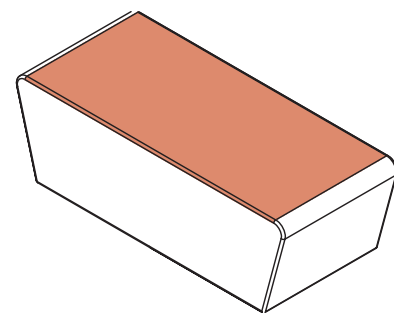
B01  
Storage Module  
30x62,4x46(h) cm



B02  
Coffe Desk Module 30  
30x62,4x46(h) cm



B03  
Coffe Desk Module 60  
60x62,4x46(h) cm



B04  
Corner Coffe Desk Module  
139,7x60x46(h) cm



WTA2 B01 Storage Module  
30x62,4x46(h) cm



WTA2 B02 Coffe Desk Module 30  
30x62,4x46(h) cm



WTA2 B03 Coffe Desk Module 60  
60x62,4x46(h) cm



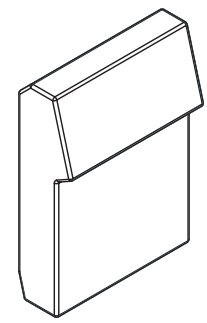
WTA2 B04 Corner Coffe Desk Module  
139,7x60x46(h) cm

# WTA2

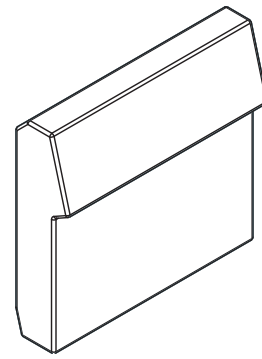
**PARTNER  
IN DESIGN**  
Innovative  
Design Solutions

doxa

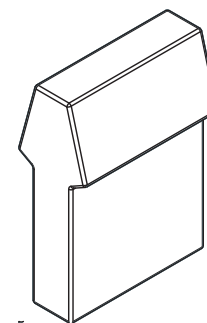
## C BACK MODULES



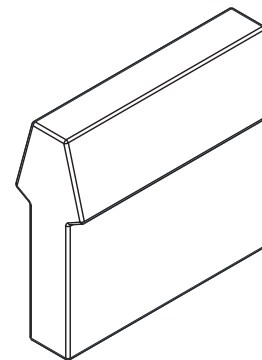
C01  
Single Back Module 60  
60x17,5x87,9(h) cm



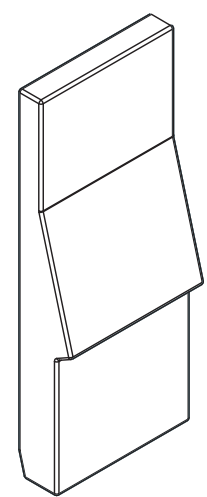
C02  
Double Back Module 90  
90,2x17,5x87,9(h) cm



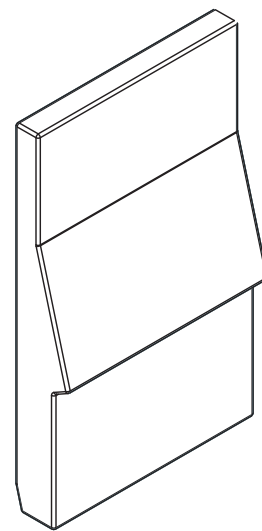
C03  
Single Back to Back  
Module 60  
60x17,5x87,9(h) cm



C04  
Double Back to Back  
Module 90  
90,2x17,5x87,9(h) cm



C05  
High Back Module 60  
60x14,8x150(h) cm



C06  
High Back Module 90  
90,2x14,8x150(h) cm



WTA2 C01  
Single Back Module 60  
60x17,5x87,9(h) cm



WTA2 C02  
Double Back Module 90  
90,2x17,5x87,9(h) cm



WTA2 C03  
Single Back to Back Module 60  
60x17,5x87,9(h) cm



WTA2 C04  
Double Back to Back Module 90  
90,2x17,5x87,9(h) cm



WTA2 BC05  
High Back Module 60  
60x14,8x150(h) cm



WTA2 C06  
High Back Module 90  
90,2x14,8x150(h) cm

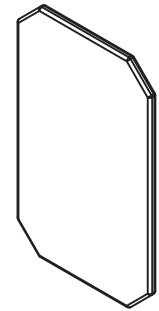


# WTA2

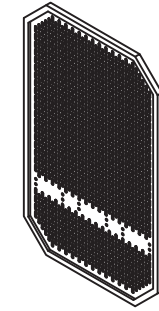
**PARTNER  
IN DESIGN**  
Innovative  
Design Solutions

doxa

## D PANEL MODULES



D01  
Fabric Side/Back Panel  
60x17,5x87,9(h) cm



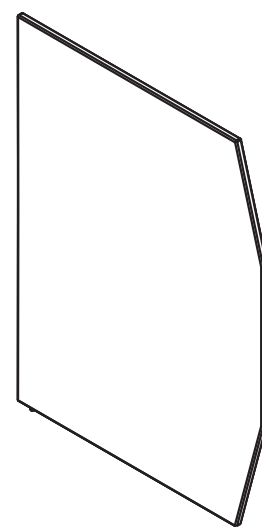
D02  
Metal Side/Back Panel  
60x20x97(h) cm



D03  
Fabric Side Panel  
70x30x97(h) cm



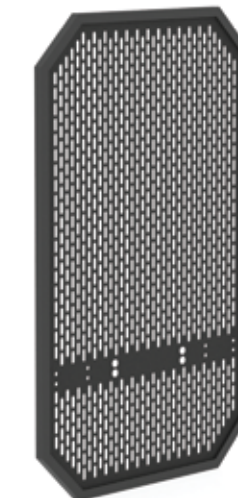
D04  
Fabric High Side Panel  
80,1x30x150(h) cm



D05  
Fabric XL Side Panel with Shelf  
130,1x30x150(h) cm



WTA2 D01  
Fabric Side/Back Panel  
60x17,5x87,9(h) cm



WTA2 D02  
Metal Side/Back Panel  
60x20x97(h) cm



WTA2 D03  
Fabric Side Panel  
70x30x97(h) cm



WTA2 D04  
Fabric High Side Panel  
80,1x30x150(h) cm



WTA2 D05  
Fabric XL Side Panel with Shelf  
130,1x30x150(h) cm

COATING MATERIAL

FELT COLORS

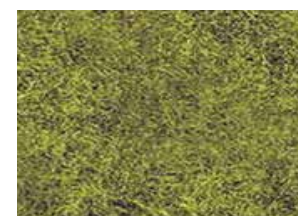
CAMIRA/BLAZER



CUZ33



CUZ1E



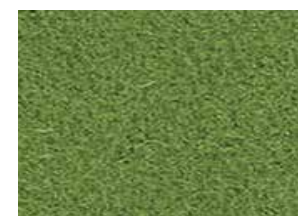
CUZ1F



CUZ28



CUZ1J



CUZ53



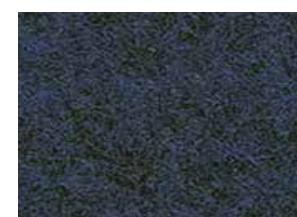
CUZ1K



CUZ1T



CUZ1R



CUZ1W

LEG COLORS

ELECTROSTATIC PAINT



RAL 7015  
ANTHRACITE



# doxa

## Factory

Merkez Mh. Sakaldöken Mevkii,  
Çaydeğirmeni / Devrek  
Zonguldak / TÜRKİYE

T: +90 372 594 58 02  
F: +90 372 594 46 62

## Export

Barbaros Mh. Halk Cd. No: 5  
Yenisahra / Ataşehir  
İstanbul / TÜRKİYE

T: +90 216 324 65 94-95  
F: +90 216 472 53 84

[www.doxa.com.tr](http://www.doxa.com.tr)

[info@doxa.com.tr](mailto:info@doxa.com.tr)

[f](https://www.facebook.com/doxa) [i](https://www.instagram.com/doxa) [t](https://www.twitter.com/doxa) doxa

**PARTNER  
IN DESIGN**  
Innovative  
Design Solutions



Product  
catalogue