



PARTNER
IN DESIGN
Innovative
Design Solutions

doxa

NORD

doxa

**PARTNER
IN DESIGN**
Innovative
Design Solutions

NORD



Massive



Melamine
Coating



Electrostatic
Powder Paint



DX Color



Electrification



Soft Closing
Door



Soft Closing
Drawing



Scratch
Resistant
Varnish



Modular

OPERATIONAL SERIES



The product takes its name from the direction facing the north star, and means the opposite of the south. Wherever you are in the world, the north guides us to find our way. Setting off from this point, we designed a working platform which has to be positioned in the center of the office. We define this product as a working platform. We created a strong balance by combining the natural massive structure and another metal material with a unique detail. A platform that can be integrated quickly and into many projects by making independent desks or multiple workspaces. It is a flexible structure that can be changed into either a high table, a meeting table or an executive table. Characteristic footing and its harmony with many colors and components create a mechanism that will build their own unique workspaces for the users. It will create a harmonious balance in architecture and interior and make its presence felt strongly.

Ozan Sinan Tiğlioğlu

doxa

**PARTNER
IN DESIGN**
Innovative
Design Solutions

NORD



Massive



Melamine
Coating



Electrostatic
Powder Paint



DX Color



Electrification



Soft Closing
Door



Soft Closing
Drawing



Scratch
Resistant
Varnish



Modular

OPERATIONAL SERIES



Nord Desk
120-140-160-180x80x75 cm



Nord Desk (with modesty panel)
120-140-160-180x80x75 cm



Nord Desk with Immobile Side Table
120-140-160-180x80x75 cm



Nord Side Table
128x50x60 cm

NORD

**PARTNER
IN DESIGN**
Innovative
Design Solutions



- Massive
- Melamine Coating
- Electrostatic Powder Paint
- DX Color
- Electrification
- Soft Closing Door
- Soft Closing Drawing
- Scratch Resistant Varnish
- Modular

OPERATIONAL SERIES



Nord Executive Desk
180-200x90x75 cm



Nord Executive Side Table
120x50x60 cm



Nord Executive Cabinet
180x50x82 cm



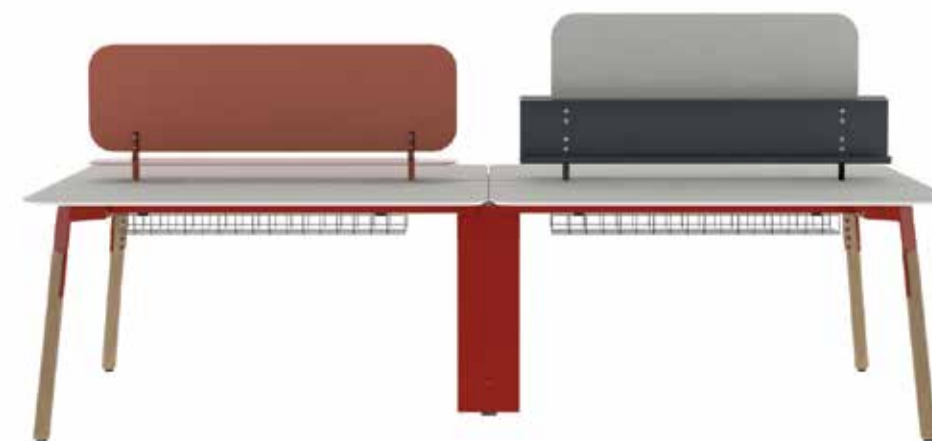
Nord Coffee Table
60x60x42 cm 100x60x42 cm



Nord Meeting Table
210x110x75 cm 260x115x75 cm



Nord Workstation for Two People
120-140-160x142x75 cm



Nord Workstation for Four People
240-280-320x142x75 cm



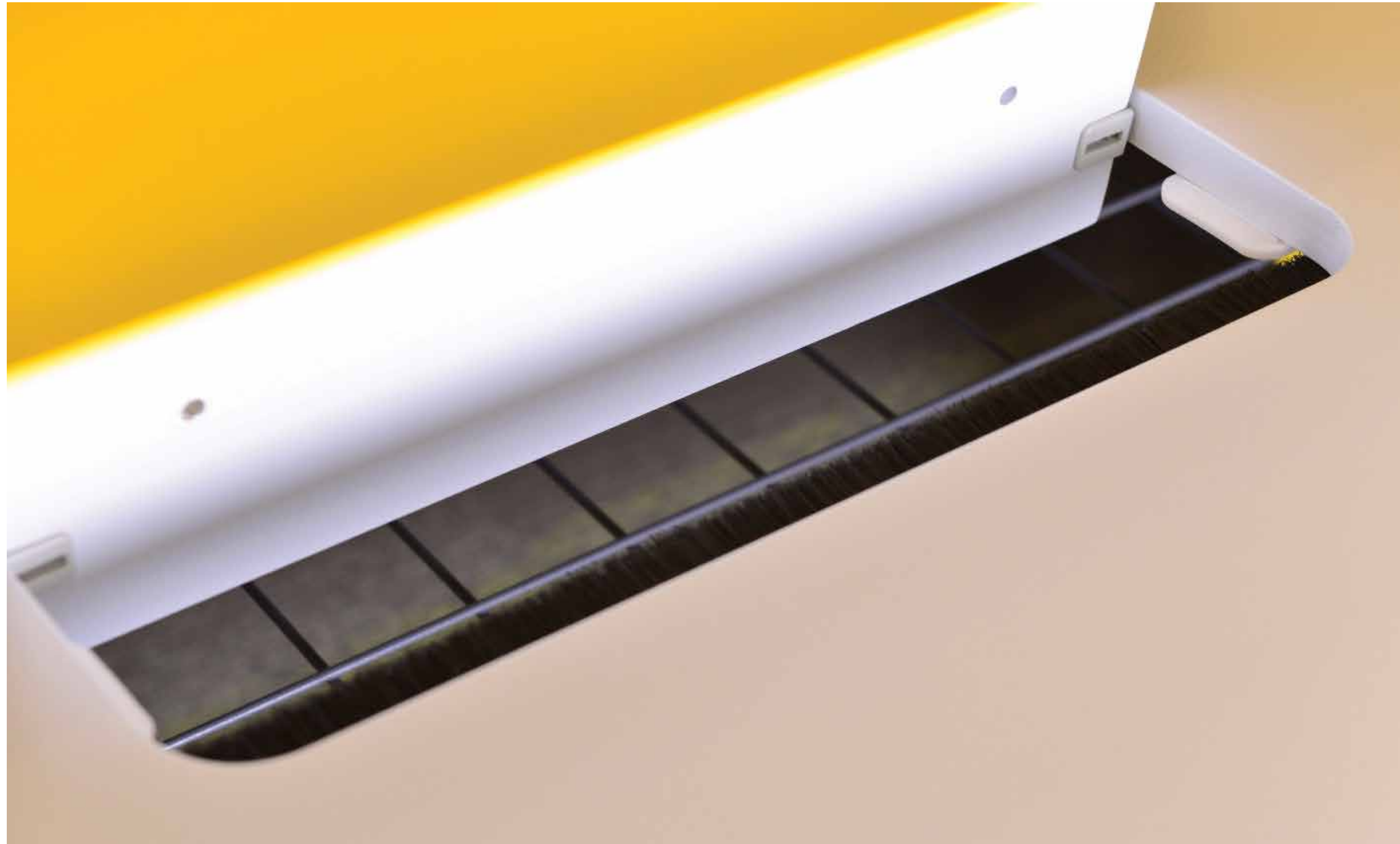
Nord Workstation for Six People
360-420-480x142x75 cm

doxa

**PARTNER
IN DESIGN**
Innovative
Design Solutions

NORD

Technically, it has an extremely fast and practical assembly setup. Optional spacer systems are designed to vary according to any needs. While showing a respectful approach to the ecosystem with its strong foot structure, it offers a simple and strong design.

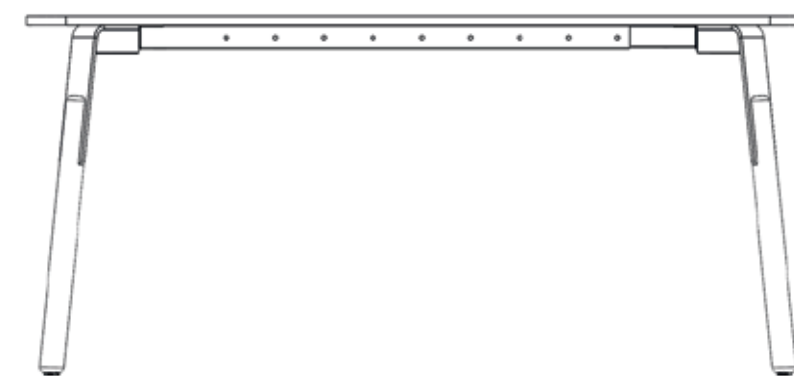
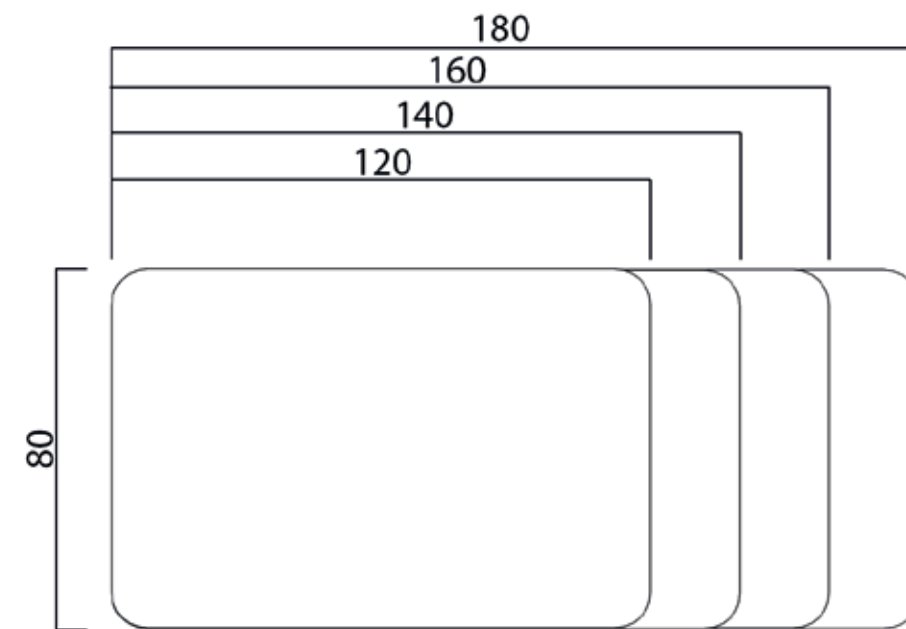
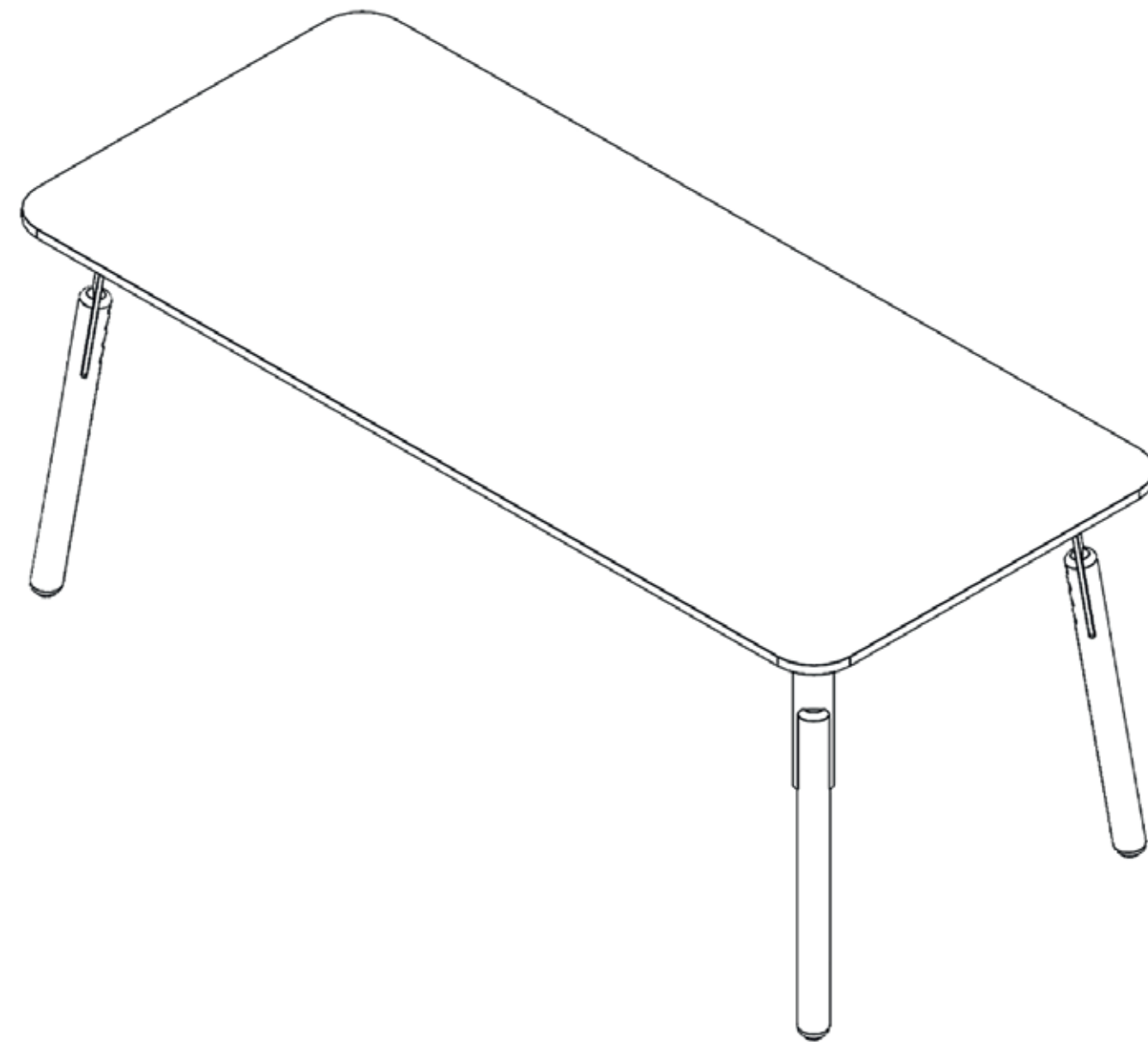


doxa

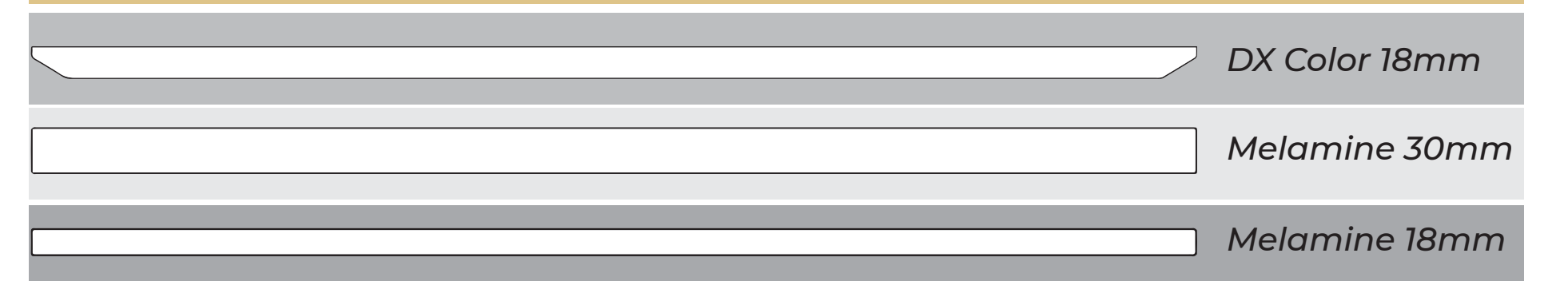
**PARTNER
IN DESIGN**
Innovative
Design Solutions

NORD

Nord Desk



DESK THICKNESS OPTIONS

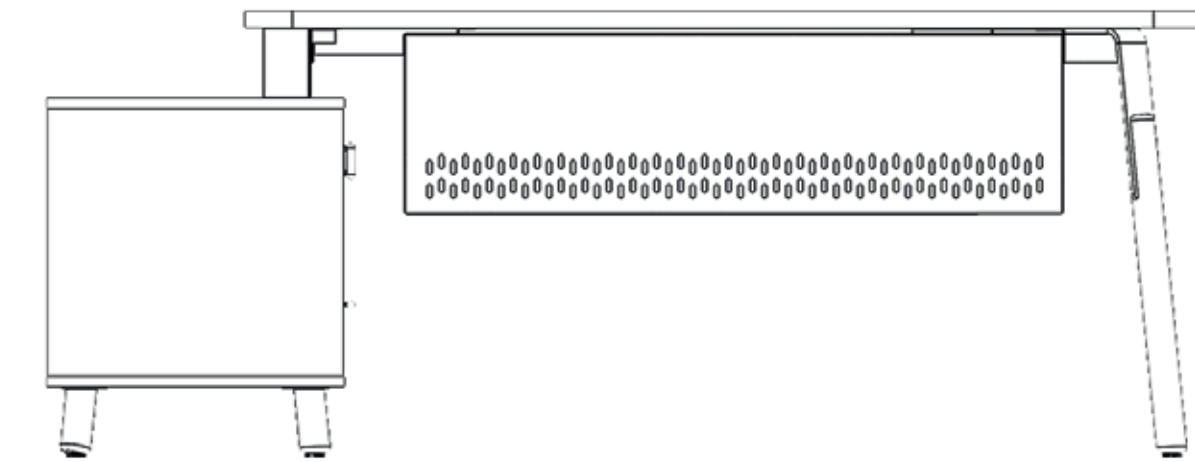
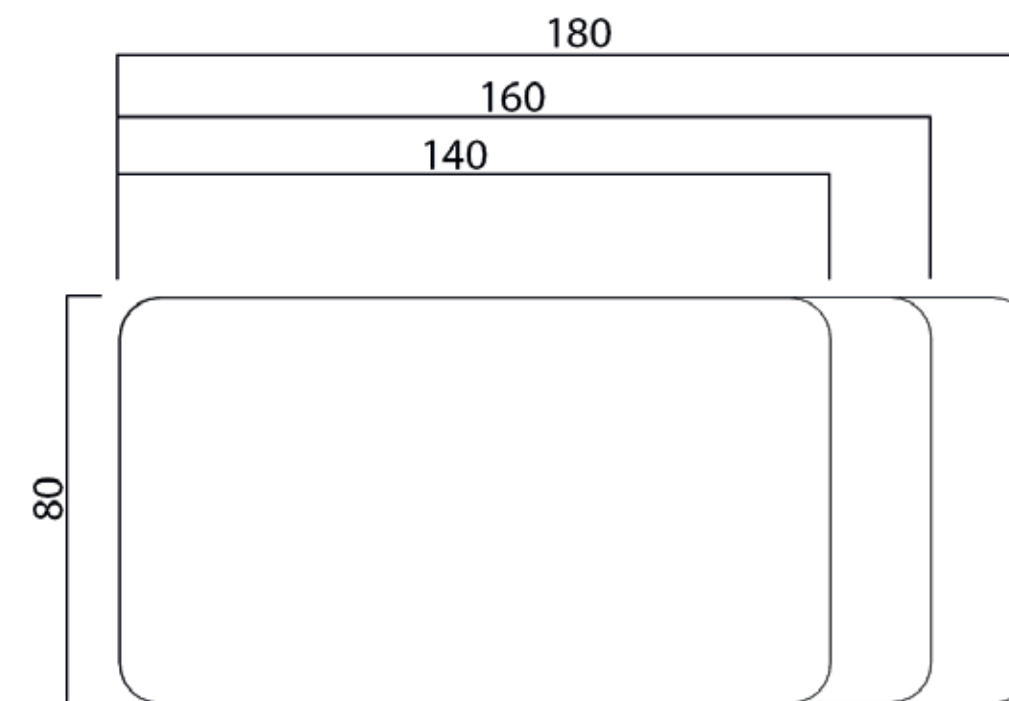
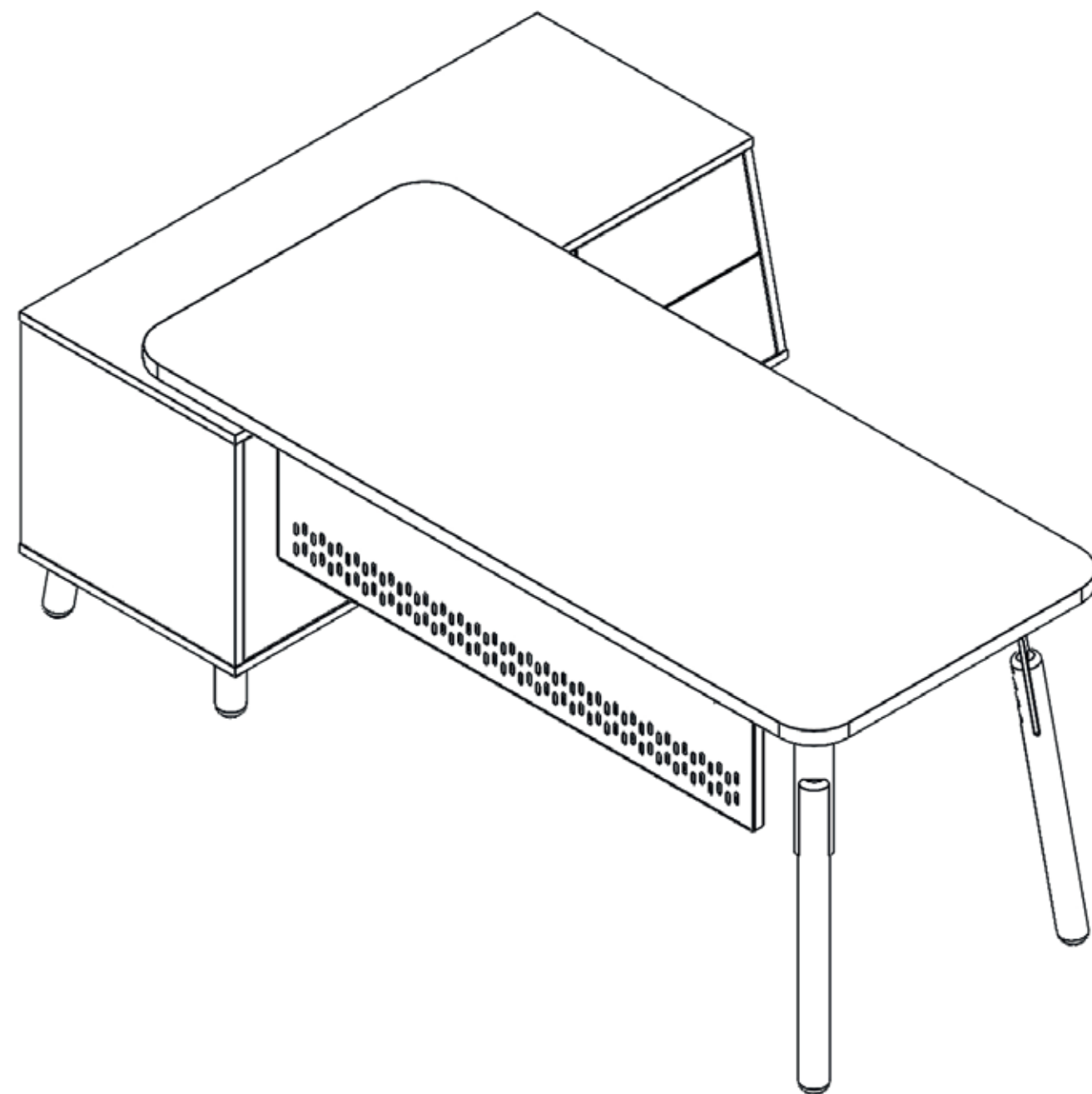


doxa

**PARTNER
IN DESIGN**
Innovative
Design Solutions

NORD

Nord Desk with Immobile Side Table



DESK THICKNESS OPTIONS

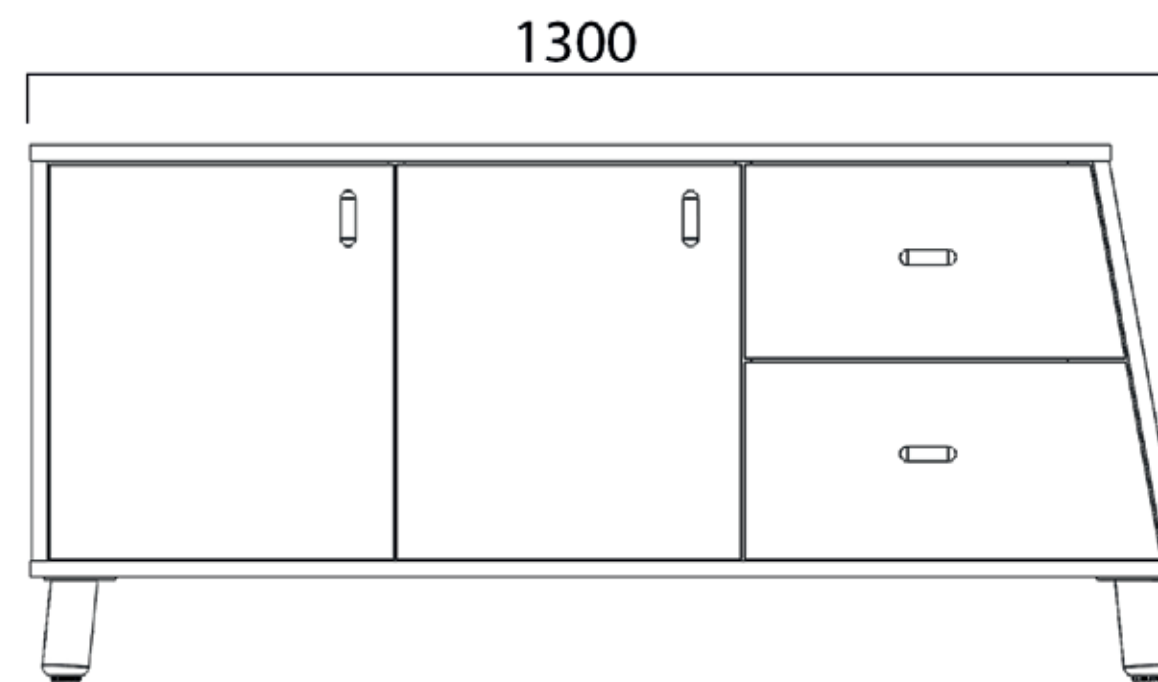
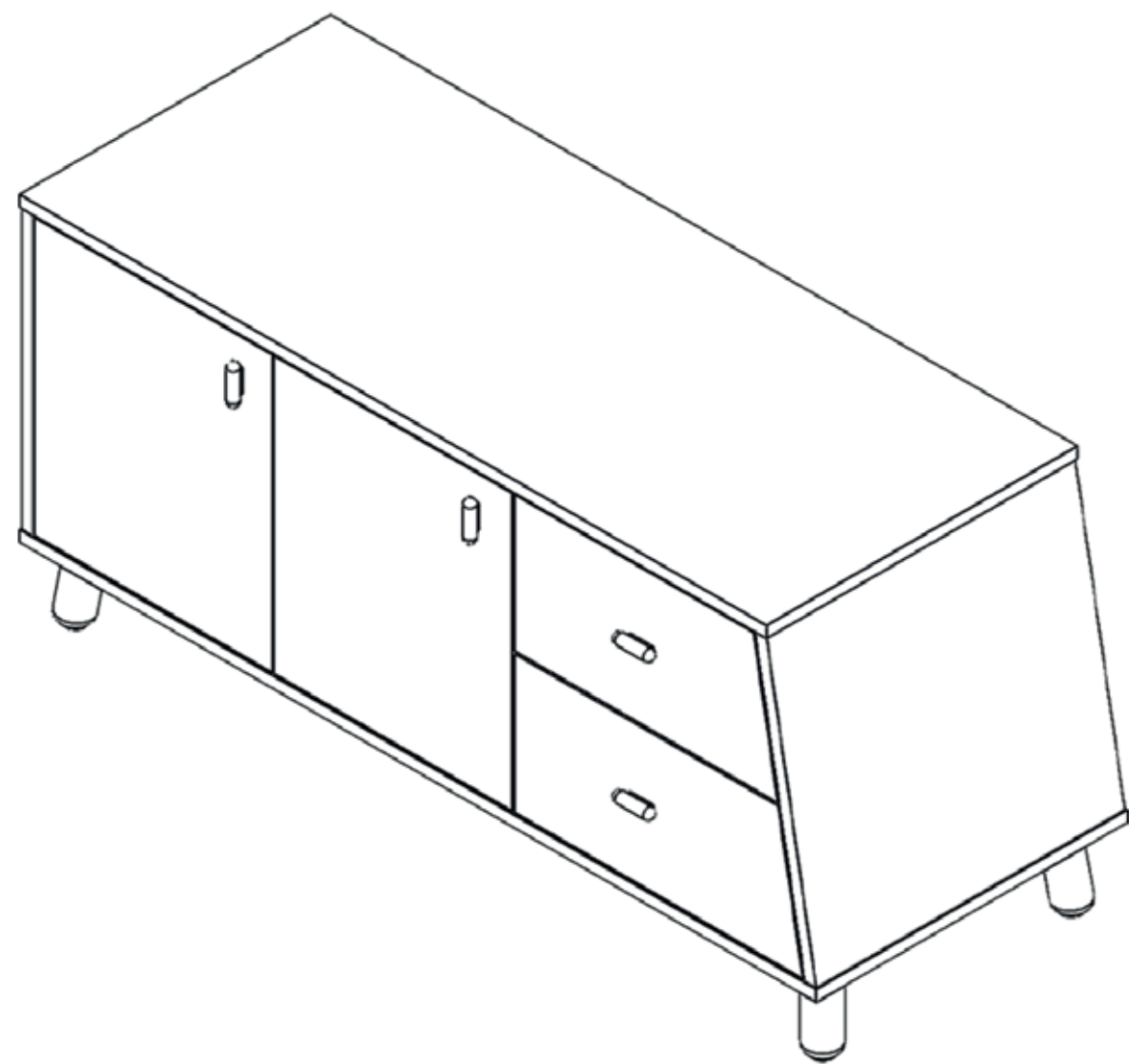
	DX Color 18mm
	Melamine 30mm
	Melamine 18mm

doxa

PARTNER
IN DESIGN
Innovative
Design Solutions

NORD

Nord Side Table



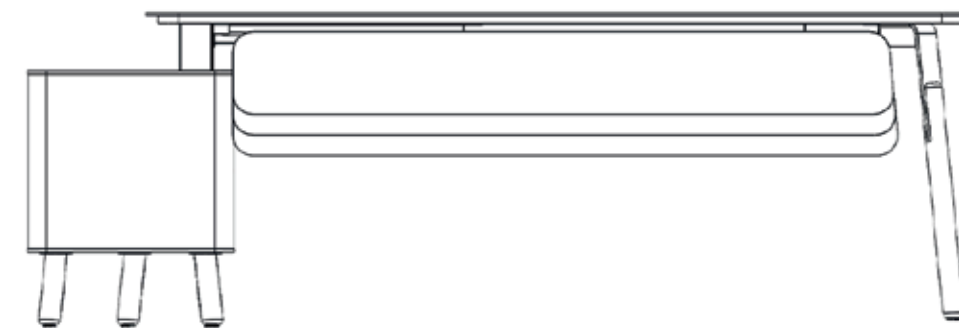
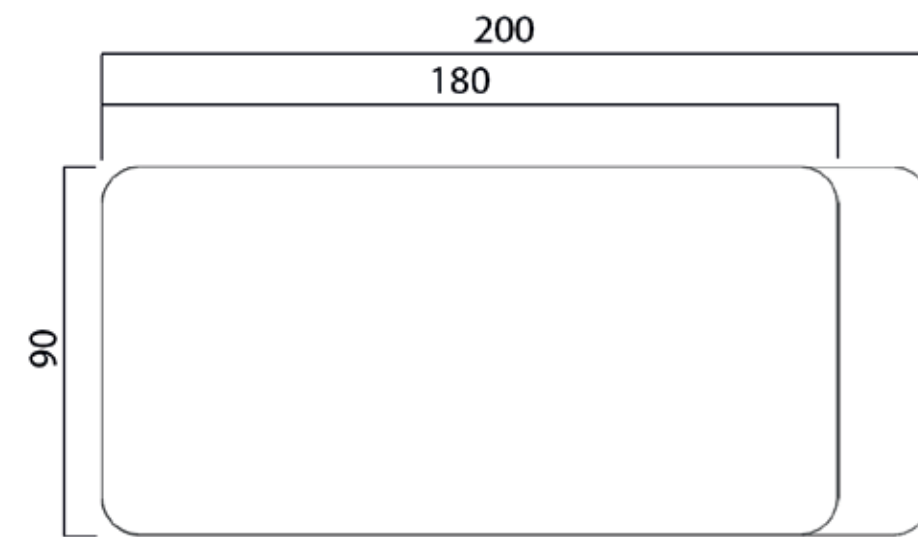
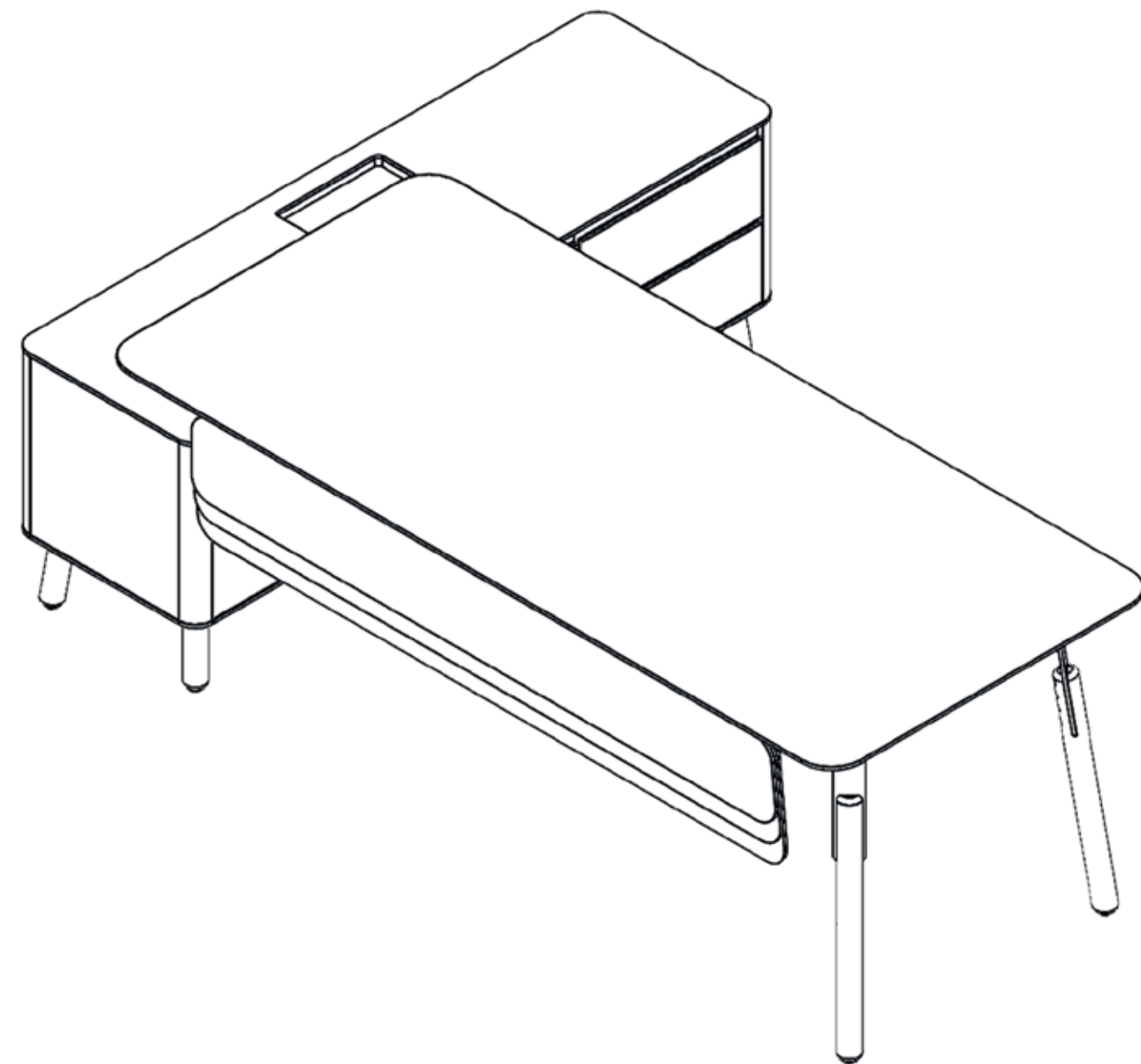
W:50 cm

doxa

**PARTNER
IN DESIGN**
Innovative
Design Solutions

NORD

Nord Executive Desk



EXECUTIVE DESK THICKNESS OPTION

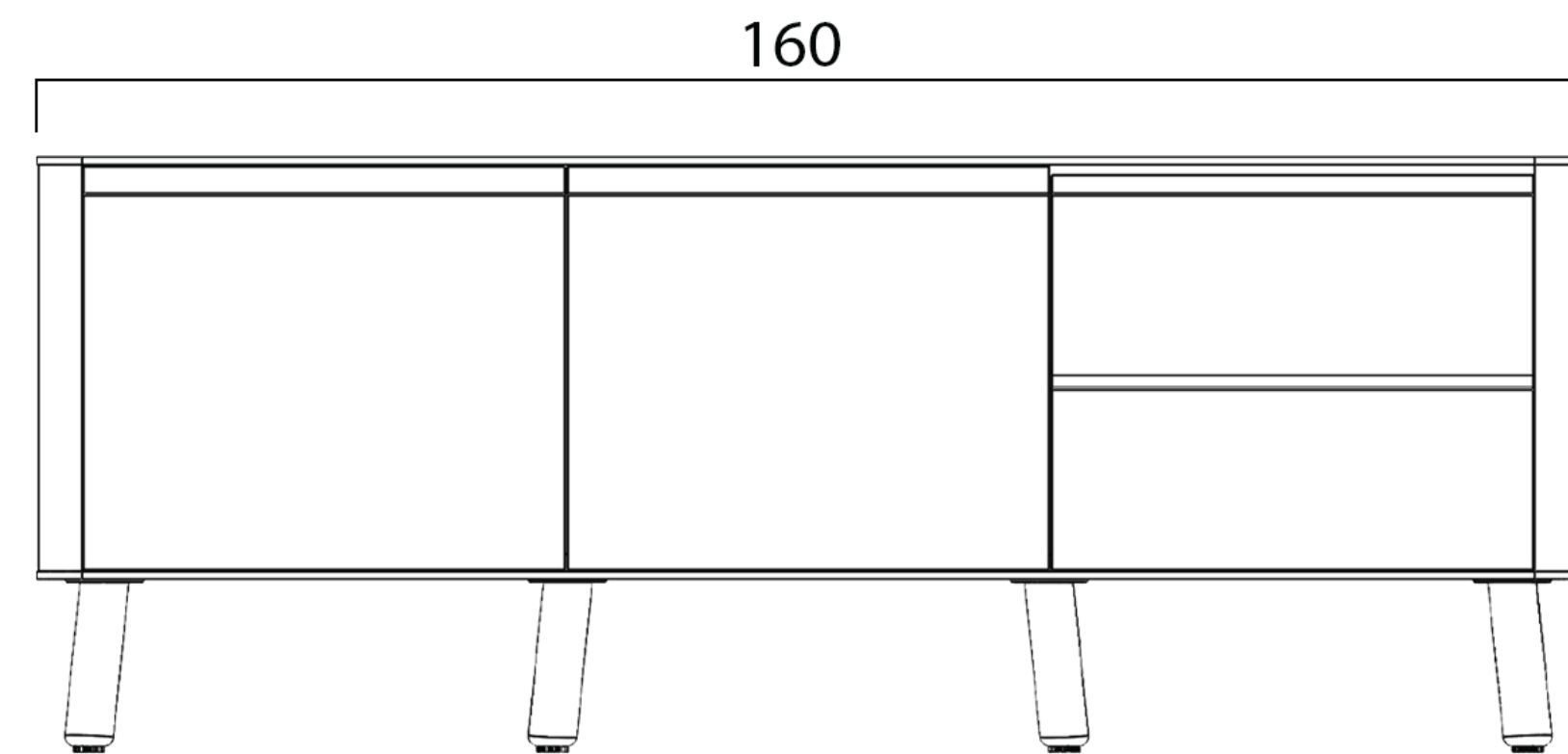
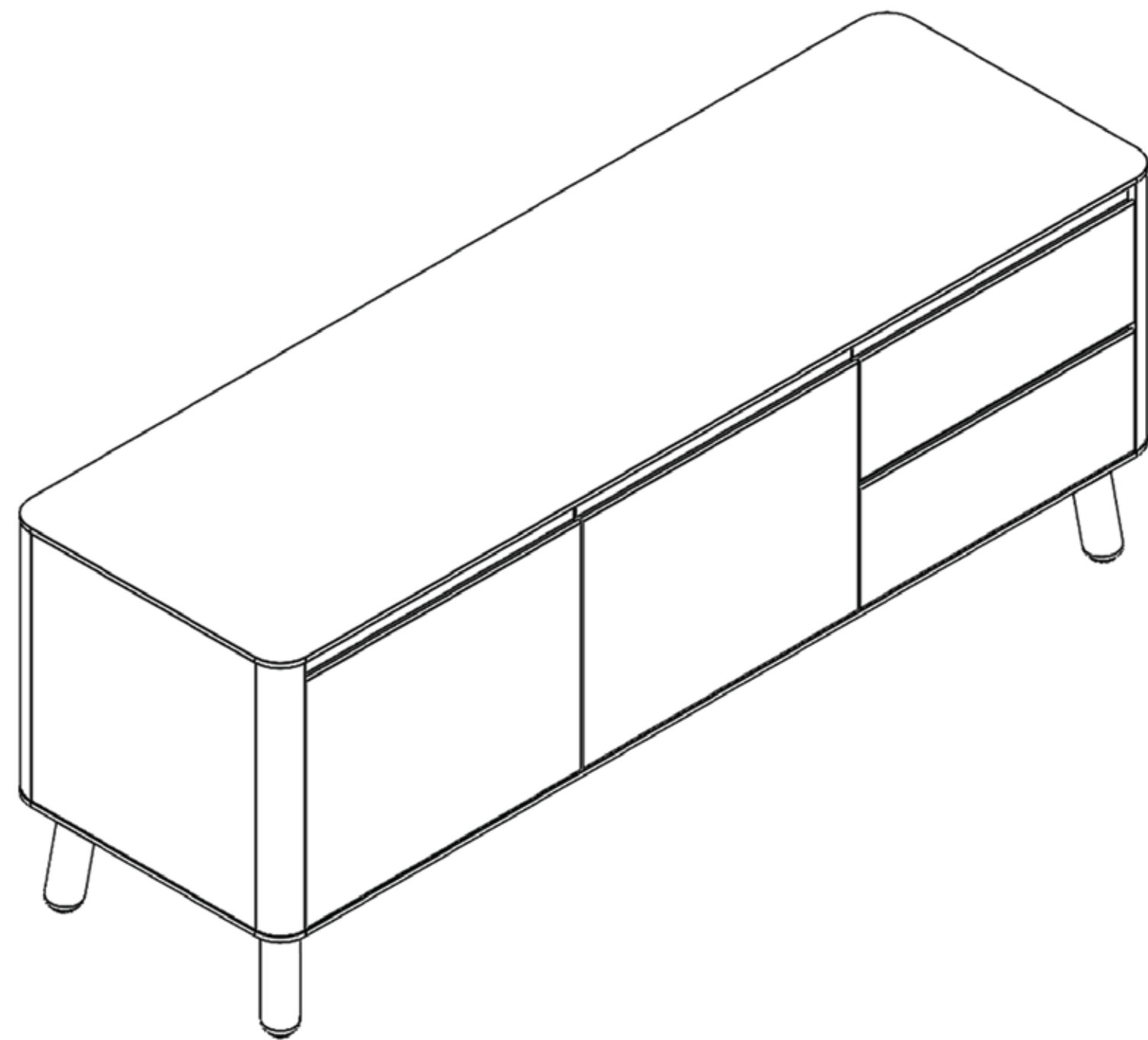
Melamine 18+8mm

doxa

PARTNER
IN DESIGN
Innovative
Design Solutions

NORD

Nord Executive Side Table



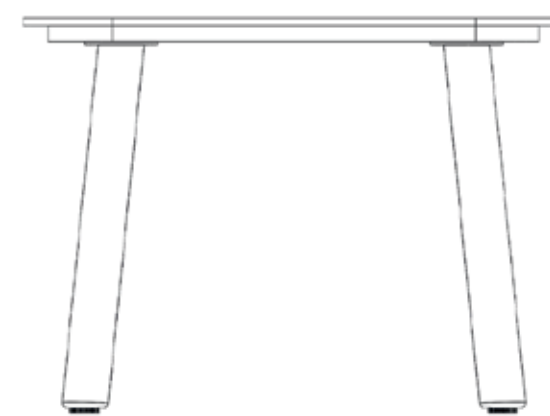
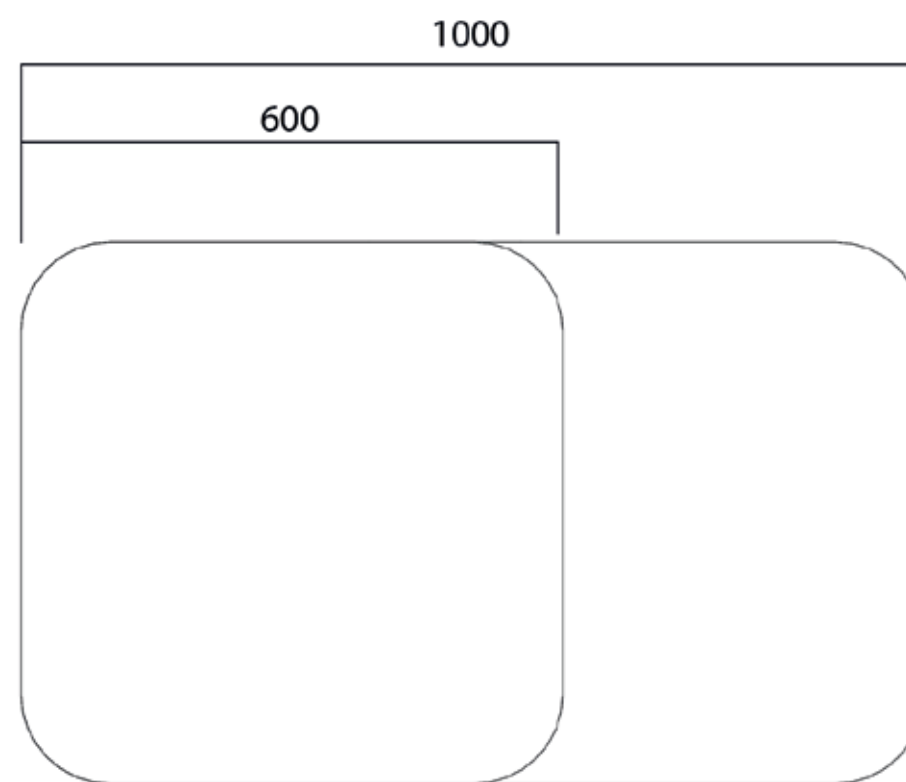
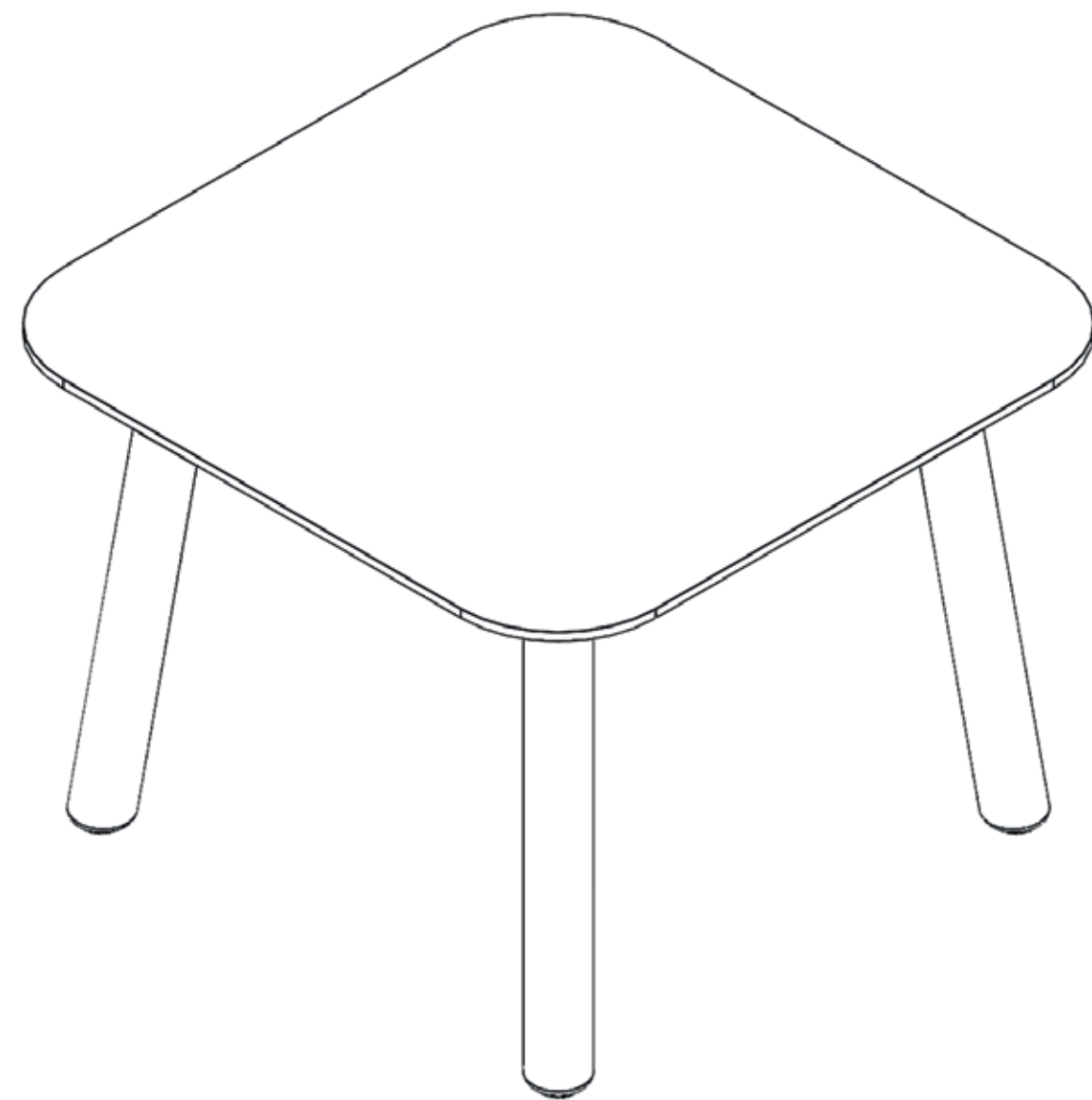
W:50 cm

doxa

**PARTNER
IN DESIGN**
Innovative
Design Solutions

NORD

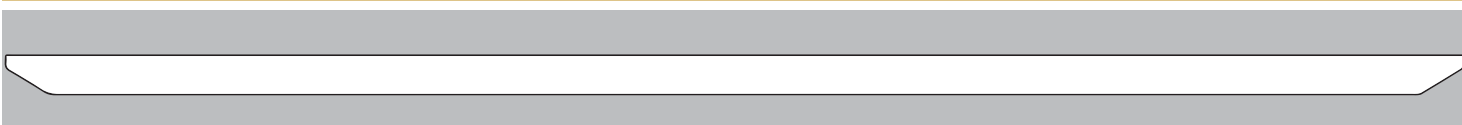
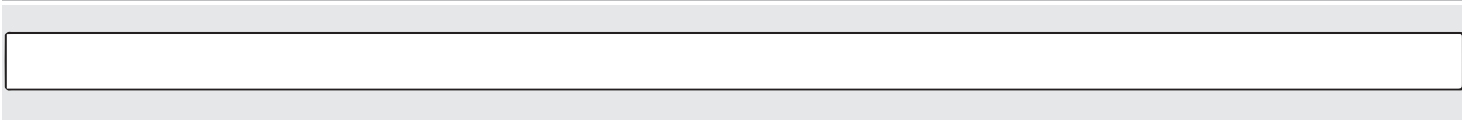

Nord Coffee Table



W:60 cm



COFFEE TABLE THICKNESS OPTIONS

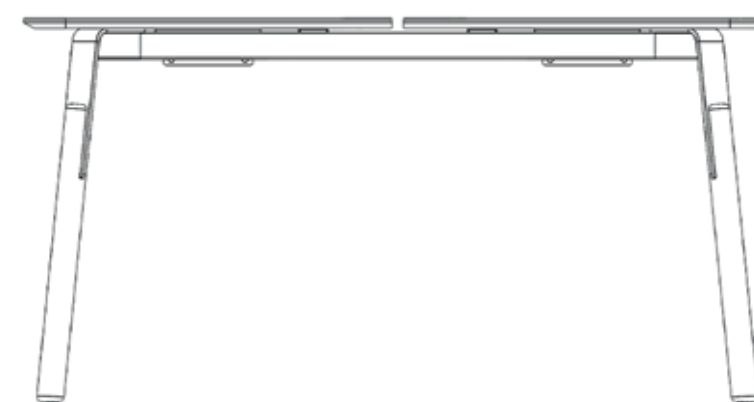
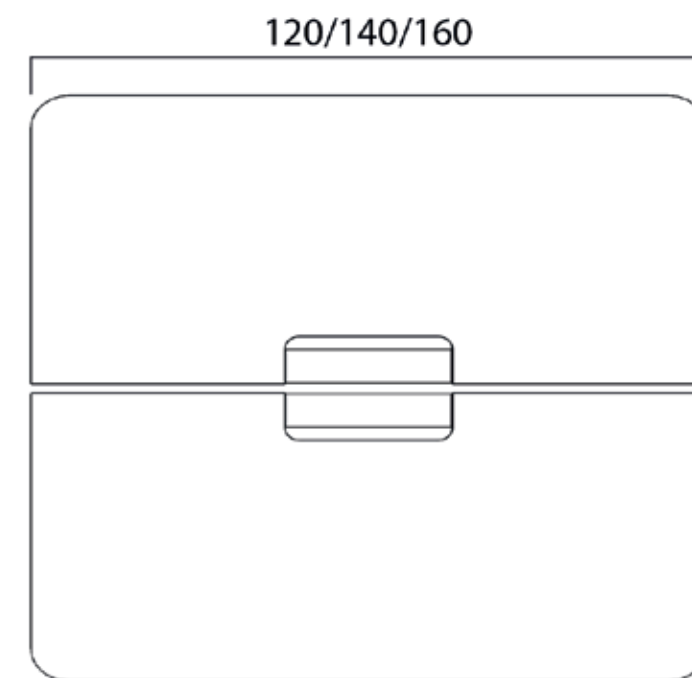
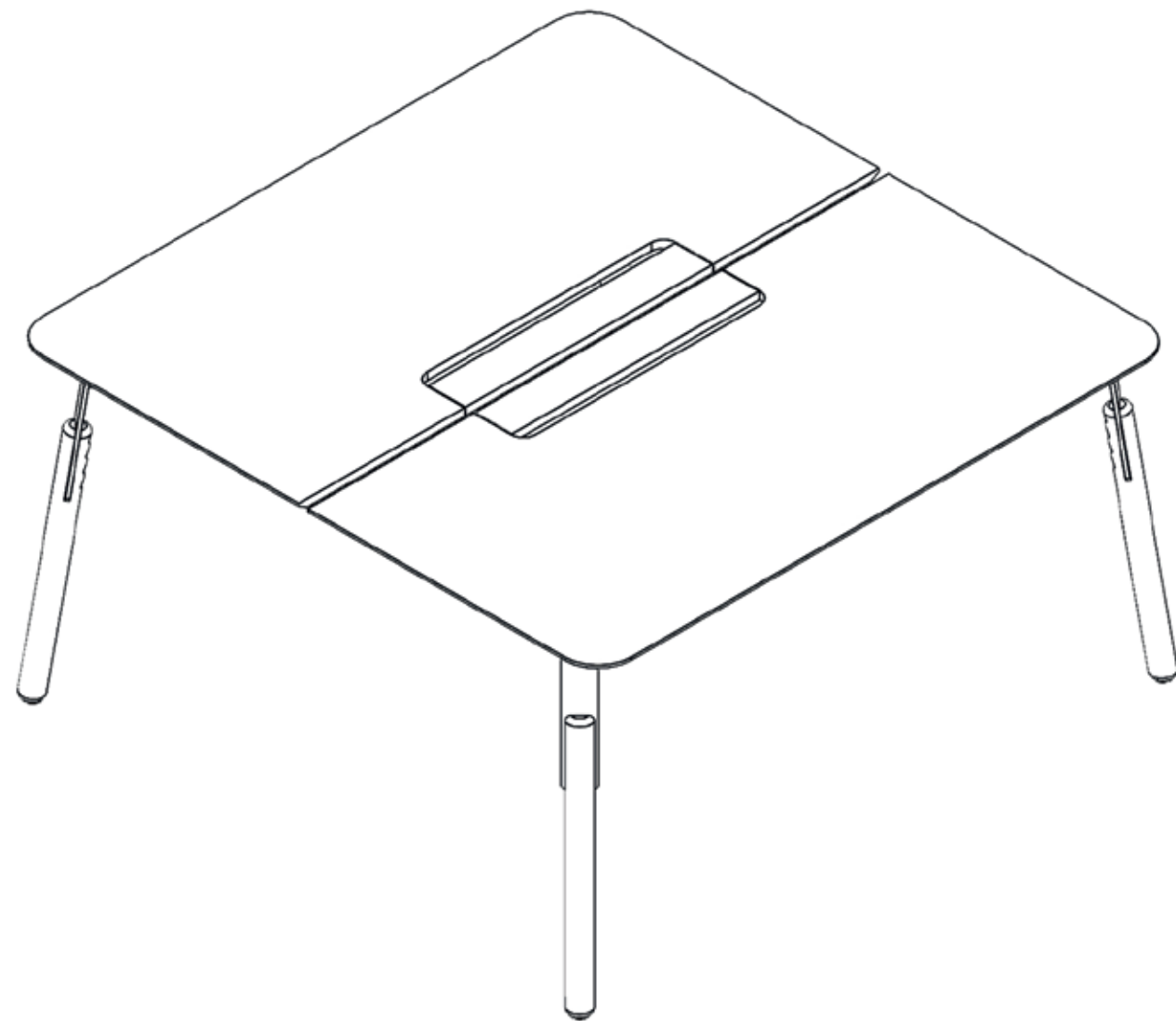
	<i>DX Color 18mm</i>
	<i>Melamine 30mm</i>
	<i>Melamine 18mm</i>

doxa

**PARTNER
IN DESIGN**
Innovative
Design Solutions

NORD


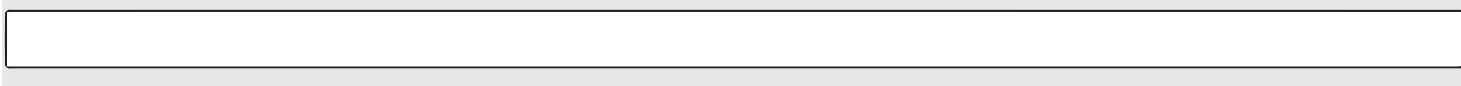

Nord Workstation for Two People



W:142 cm



WORKSTATIONS TABLE THICKNESS OPTIONS

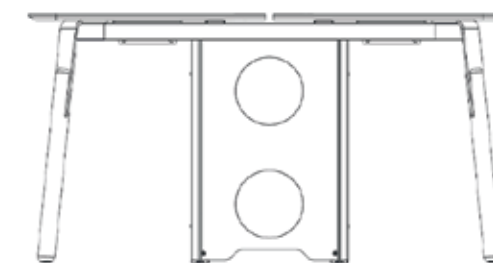
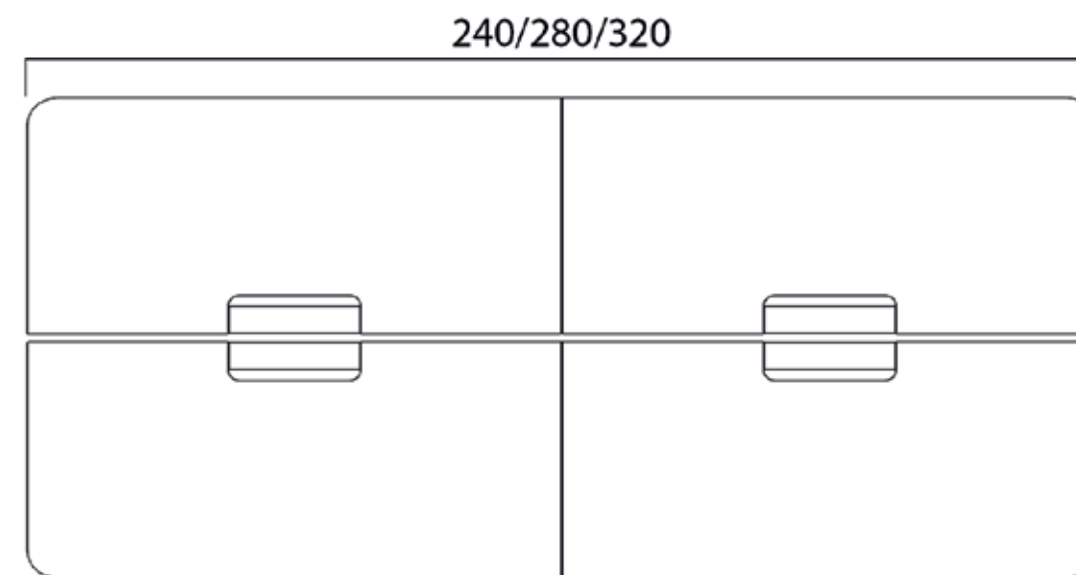
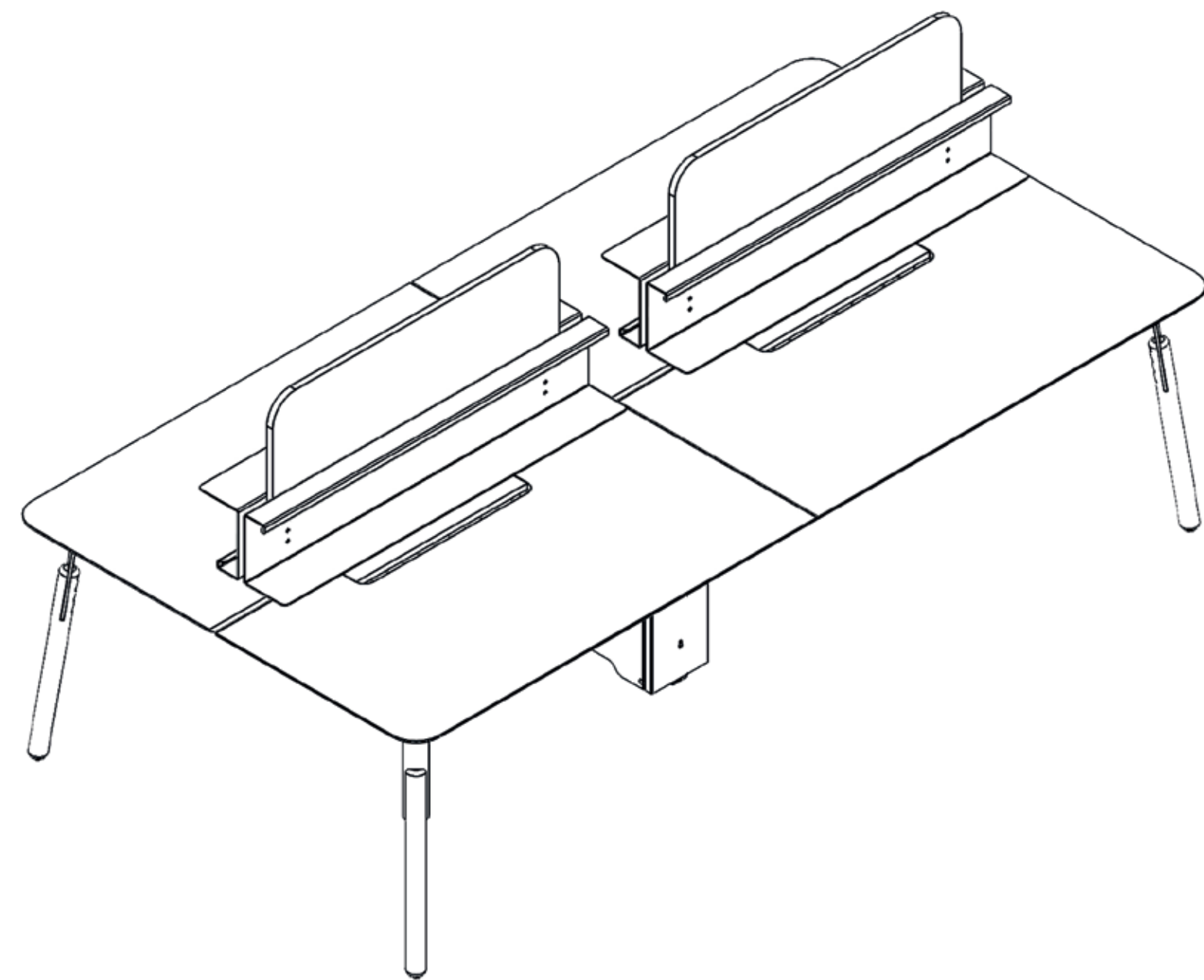
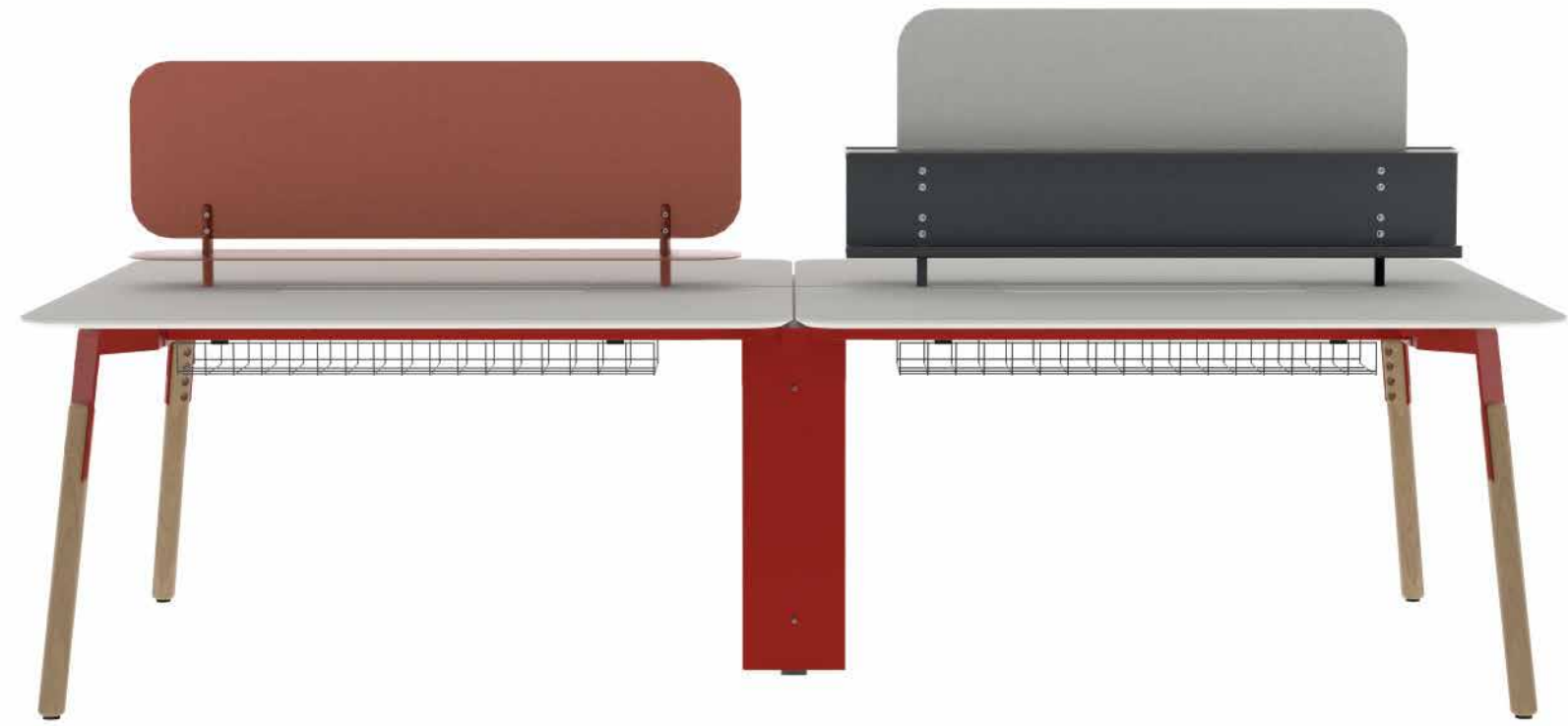
	<i>DX Color 18mm</i>
	<i>Melamine 30mm</i>
	<i>Melamine 18mm</i>

doxa

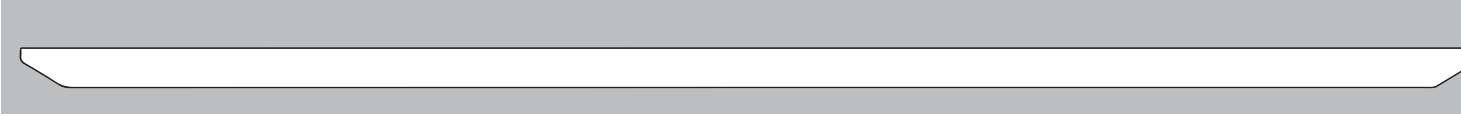


**PARTNER
IN DESIGN**
Innovative
Design Solutions

NORD

Nord Workstation for Four People



WORKSTATIONS TABLE THICKNESS OPTIONS

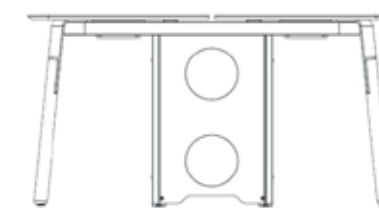
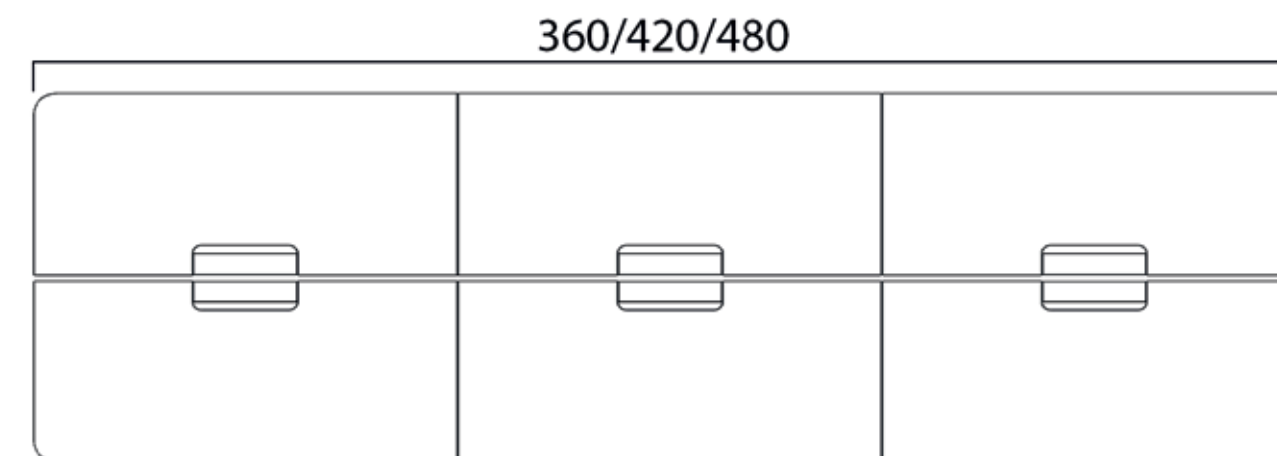
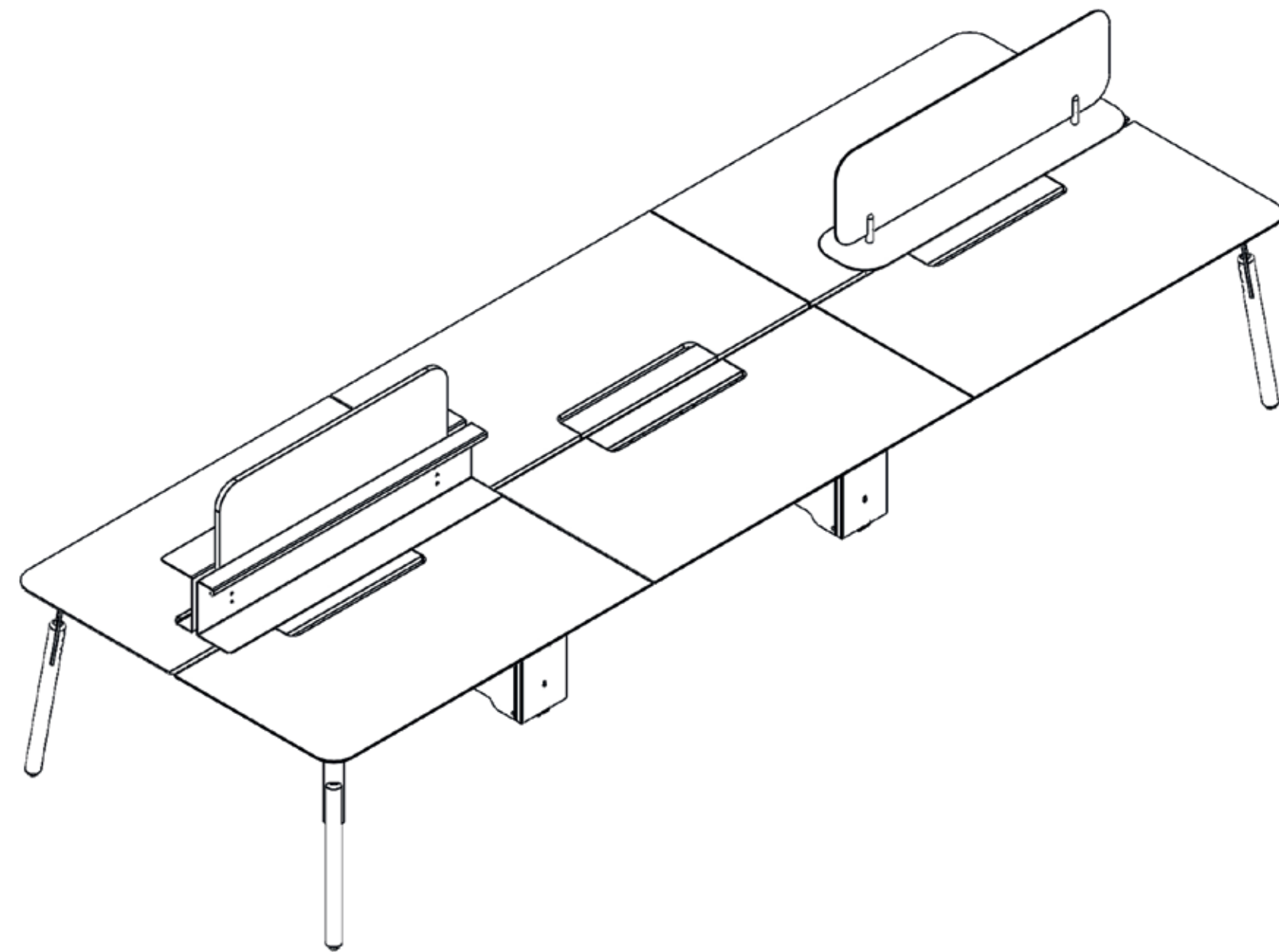
	<i>DX Color 18mm</i>
	<i>Melamine 30mm</i>
	<i>Melamine 18mm</i>

doxa

**PARTNER
IN DESIGN**
Innovative
Design Solutions


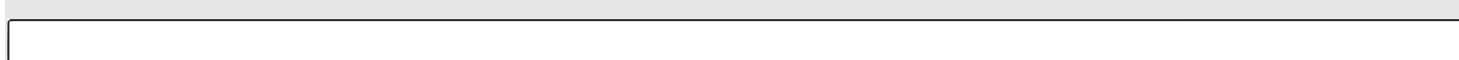

NORD

Nord Workstation for Six People



W:142 cm

WORKSTATIONS TABLE THICKNESS OPTIONS

	DX Color 18mm
	Melamine 30mm
	Melamine 18mm

doxa

**PARTNER
IN DESIGN**
Innovative
Design Solutions

NORD

SURFACE MATERIAL

MELAMINE COLORS



dxcolor



DxColor MDF Powder Coating is a dry solid paint that cures at low temperatures and can be applied to wood-based surfaces. DxColor, a product that respects human health, does not contain harmful components such as solvents, mercury and lead.

LEG COLORS

ELECTROSTATIC PAINT



MASSIVE COLORS



doxa

Factory

Merkez Mh. Sakaldöken Mevkii,
Çaydeğirmeni / Devrek
Zonguldak / TÜRKİYE

T: +90 372 594 58 02
F: +90 372 594 46 62

Export

Barbaros Mh. Halk Cd. No: 5
Yenisahra / Ataşehir
İstanbul / TÜRKİYE

T: +90 216 324 65 94-95
F: +90 216 472 53 84

www.doxa.com.tr

info@doxa.com.tr

[f](#) [t](#) [i](#) doxa

**PARTNER
IN DESIGN**
Innovative
Design Solutions



Product
catalogue